

ML20I/ML25I

MATERIAL LIFTS



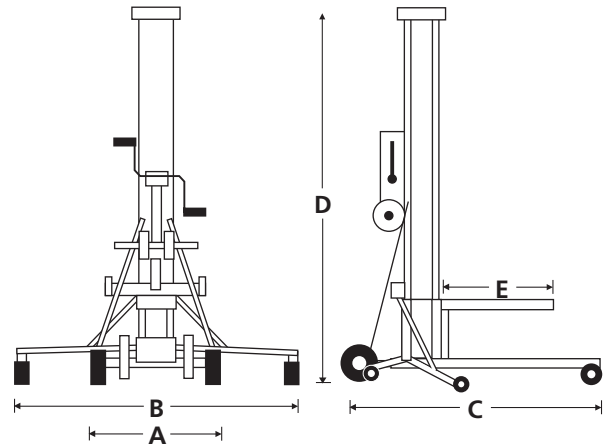
- A high specification material lift with heavy-duty load capacity
- Narrow design to manoeuvre through a standard doorway without tilting back
- Robust, industrial grade design
- Features a dual handle, shift-on-the-fly, two-speed winch for improved productivity

 **snorkel**[™]
www.snorkellifts.com

MATERIAL LIFTS

ML20I/ML25I

DIMENSIONS	ML20I	ML25I
Lift height – forks up	6.2m	7.6m
Lift height – forks down	5.7m	7.1m
Stowed width (A)	0.77m	0.77m
Stabiliser width (B)	1.63m	1.63m
Stowed length	0.8m	0.8m
Operating length (C)	1.96m	1.96m
Stowed height (D)	1.9m	1.9m
Fork width (outside)	0.58m	0.58m
Fork length (E)	0.76m	0.76m
Ground clearance	60mm	60mm



PERFORMANCE		
Max. load capacity (0.36m load centre)	340kg	272kg
Max. load capacity (0.61m load centre)	249kg	181kg
Max. load capacity (1.07m load centre)	136kg	91kg
Min. load height	150mm	150mm
Winch (high speed)	13.1 cranks/m	
Winch (low speed)	49.2 cranks/m	

WEIGHT		
Weight	150kg	167kg

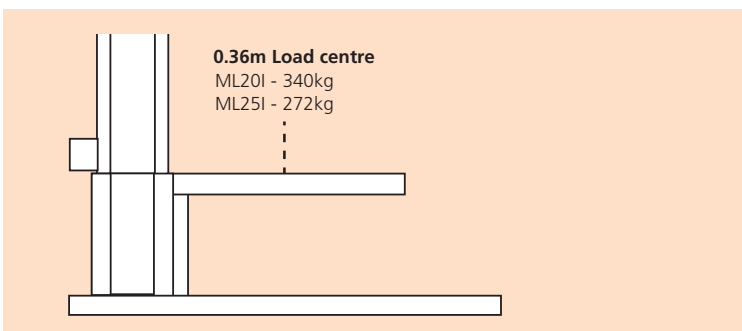
STANDARD FEATURES

- Stabilisers with non-marking swivel casters
- Mast brake
- Cable guard
- Non-marking transport/loading wheels
- Dual handle, two-speed shift-on-the-fly winch
- Metal cable pulleys with sealed bearings
- Heavy-gauge aluminium extrusions
- Heavy-duty, non-marking casters
- Crane attachment point
- 2 year parts & labour, 5 year structural warranty
- CE approved

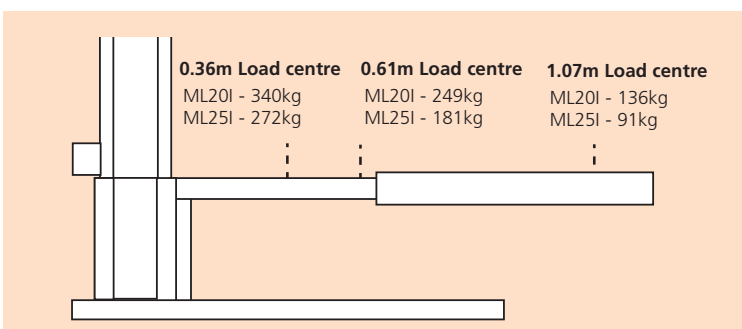
OPTIONS

- Special paint colours
- Adjustable forks
- Boom
- Pipe cradle
- Fork extensions
- Load platform

LOAD CAPACITY - STANDARD FORKS



LOAD CAPACITY - EXTENDED FORKS



snorkel www.snorkellifts.com

Vigo Centre, Birtley Road,
Washington, Tyne & Wear,
NE38 9DA, U.K.

t: +44 (0) 845 1550 057
e: sales.emea@snorkellifts.com